

# MLI-S BUOY

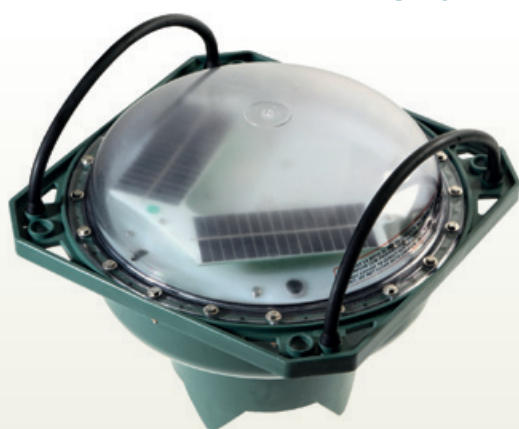


**Buoy for oceanographic, scientific and biologic use, with drum line**  
**Informs the user quickly in the event of a catch**  
**Highly configurable according to the customer needs**

## Description

This is a GPS buoy using satellite transmission to be located and monitored. It is specially designed to transmit its positions with a frequency set up by the user when the drum line has caught an animal.

It includes a satellite transceiver, GPS, magnetic (ON/OFF) switch, a double power supply system : rechargeable battery with solar panels and an alkaline battery pack which provide a theoretically unlimited life in good conditions and complete reliability of operation.



## Operation

To set up the catch-a-live system, the MLI-S buoy magnet must be plugged in and attached to the drum line triggered link. When the animal is caught on the baited hook, the magnet is released and the buoy is activated. At this time, the MLI-S buoy begins to transmit its position and the users receive a warning e-mail every 5 minutes including a Google Maps link.

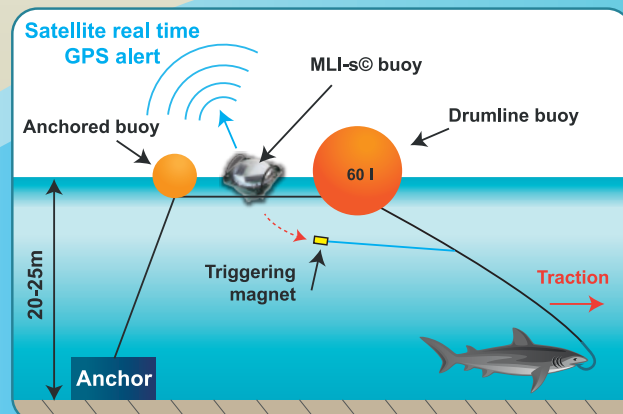
MLI Buoy starts a flash mode for an easier location.

The messages are sent until the magnet plugged back into the buoy.

The automatic messages can be received by phone in GPRS coverage or by MSR (marine Instruments Iridium satellite reception system) in phone off coverage.

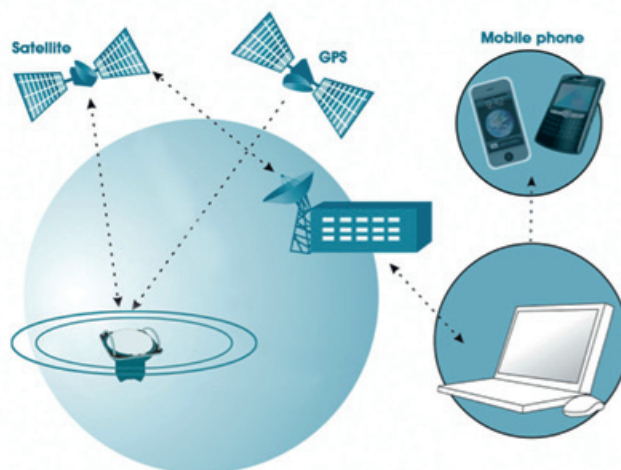
## Advantages :

- Global coverage through Iridium satellite network
- Flat rate communications
- Designed to minimize the risk of drifting due to weather conditions
- Good stability and buoyancy
- No external antenna
- Undetectable to both the naked eye and radar
- Solar rechargeable batteries and backup alkaline pack
- Flash for night/day positioning
- Temperature sensor with accuracy of 0,2 °C and resolution of 0,1°C



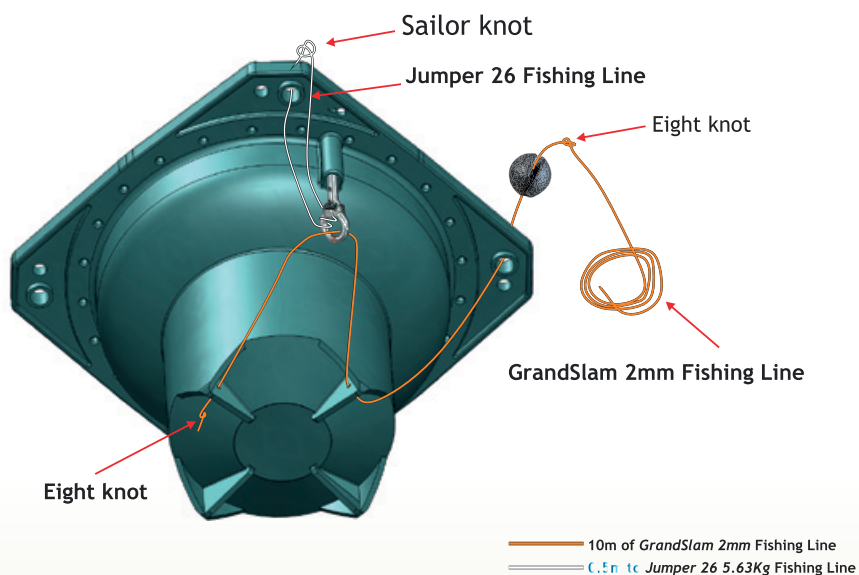
## Communications

MLI-S is transmitted via Iridium and its are received automatically by e-mail and/or by satellite through MSR receiver.



### STAINLESS STEEL MAGNET FASTENING

marine instruments



Example of magnet fastening for drum line

V1 15/11/2013

## Technical features

Weight : 6.9 Kg

Battery : 12 V

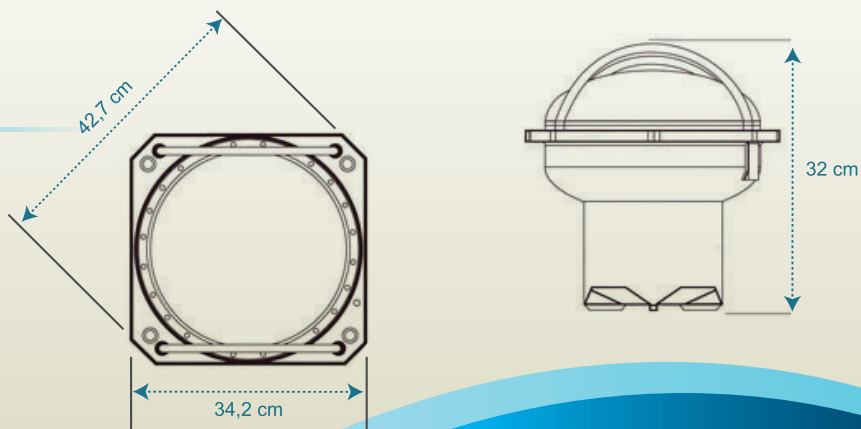
Reserve of buoyancy : 6 litres

Operating temperature : 0°C to 40°C

Dimensions : see diagram

Compatible software :

Google Maps, MSB Scientific buoys



[www.isifish.fr](http://www.isifish.fr)

Phone : +33 (0)2 98 98 60 30  
contact@isifish.fr

ISI-FISH, 10 A rue du moulin à vent - 29900 CONCARNEAU, FRANCE