

## The best way to fish much more efficiently

Radio buoys to easily track your fishing gear. With the temperature sensor included in the M3P-T buoy you can also obtain water temperature data and optimize your fishing operations.

## Robust design, adapted to marine environment.

Watertight and resistant to pressure to guarantee longevity of product life cycle.

## Save time and fuel

Check the location of your buoys in the map for a fast pick up.

## Keep a tight control of your lines.

Recieve alarms for line breakage.

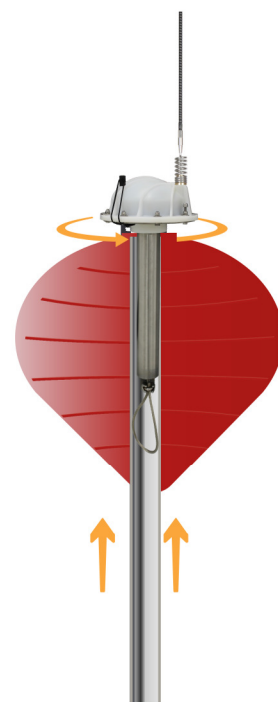
## ADVANTAGES

- Encoded automatic transmissions. No communications cost. Up to 50 miles range.
- High durability: Reinforced resin-filled top, battery protected against deep discharge and heavy duty antenna.
- 100 meters immersion guaranteed.
- Transmissions every 5, 10, 15 minutes. Distributor configurable.
- Long battery life: Up to 16 days (M3P-T) and 8 days (M3P) with 10 min transmission interval.
- Easy to use. Automatic configuration in software.
- Internationally certified. CE y FCC Approved.

## TWO MODELS



M3P-T



1  
M3P/M3P-T

2  
Float

3  
Tube

LAT: 43°23.90'N  
LON: 08°24.2'W  
Bat: 14.0V  
Dist: 74.421nm  
Course: 13°

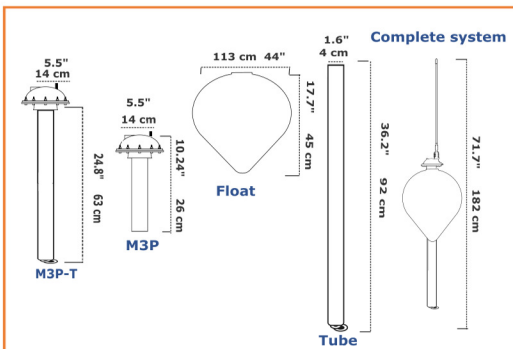


### Communications

Reception via radio through MIR-5000 (SSB receiver and decoder)

### Technical features

- **Frequency of transmission:** 26 MHz
- **Battery:** Recharable through the antenna
- **Weight:**
  - M3P: 4.4 lbs/ 2 Kg
  - M3P-T: 6.2 lbs/ 2.8 Kg
  - Tube: 7.7 lbs/ 3.5 Kg
  - Float: 5.7 lbs/ 2.3 Kg
- **Operating temperature:** 0°C a +50 °C / 32 °F-122°F
- **Inmersion guaranteed:** 100 m
- **Range:** 50 miles
- **Dimensions**

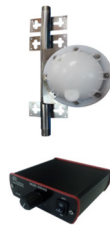


### MSB LONGLINE SOFTWARE

- **Automatic configuration** of buoys in software.
- Displays **buoy's positions and lines over a C-MAP** chart.
- **Line breakage** detection and alarm.
- Displays **water temperature** (M3P-T)

### RELATED PRODUCTS

#### MIR 5000 RECEIVER



**MIR 5000 Receiver and antenna** to receive data via radio from the M3P and M3P-T

#### MIP-C CHARGER



#### MIP-C Charger

For the independent and simultaneous charging of four longline buoys (M3P, M3P-T, M2P)